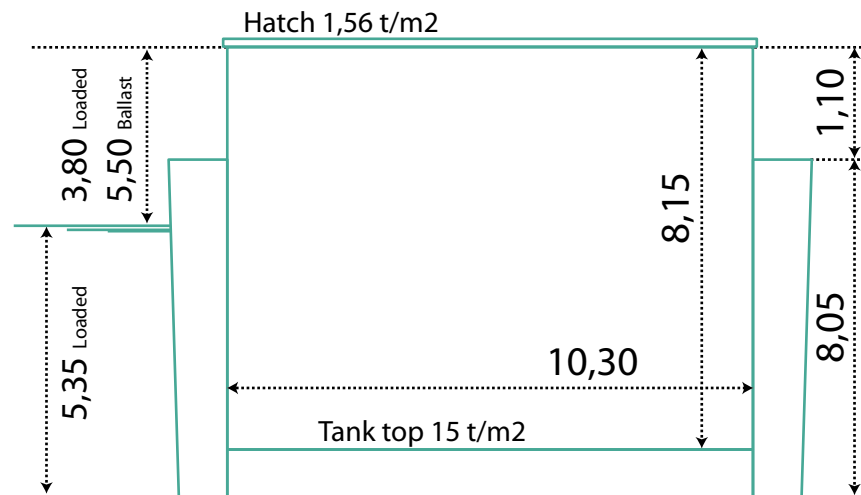
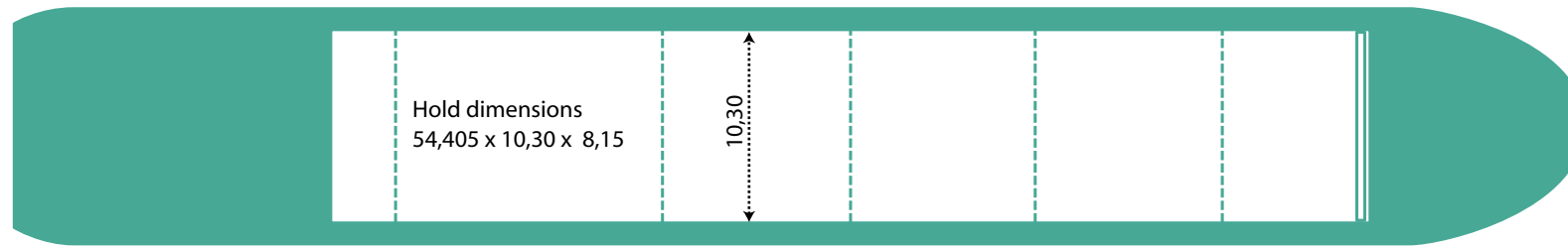
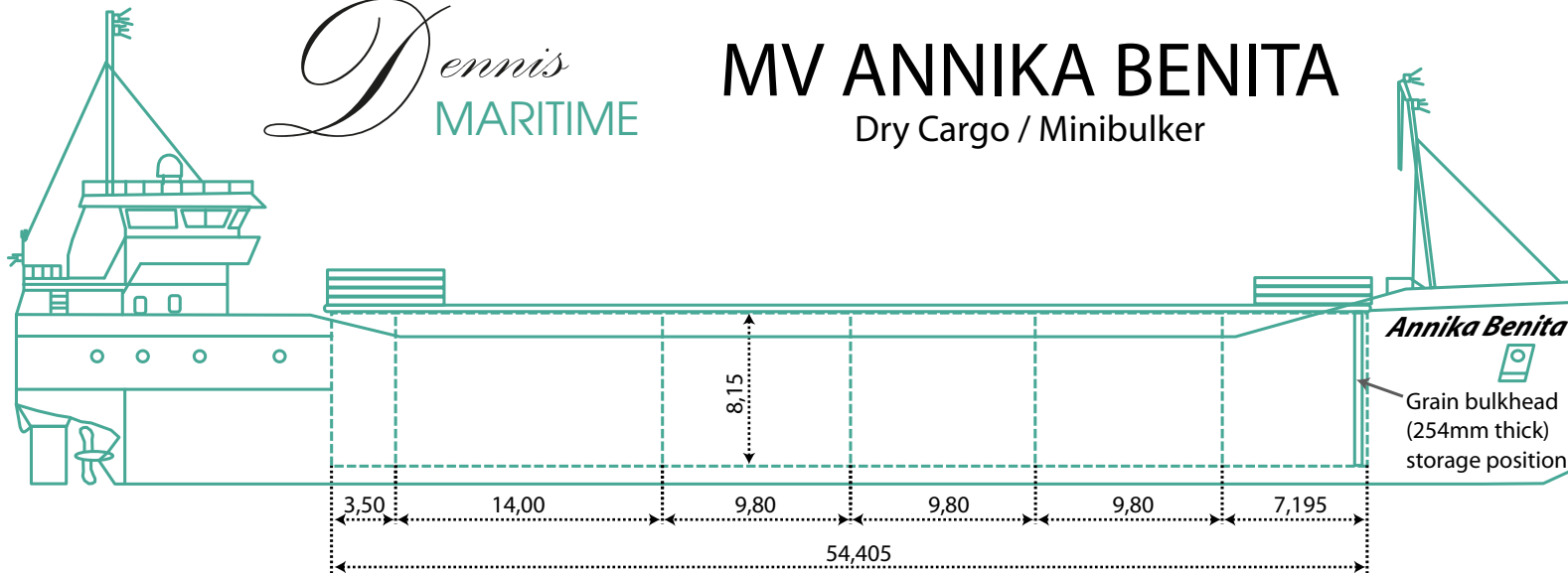


MV ANNIKA BENITA

Dry Cargo / Minibulker



All measurements in meters, not necessarily in scale. All details believed to be correct, but w.o.g.

Ship's contacts

Tel/GSM: +31-65-391 8731
Tel: +31-59-682 0902
E-mail: annikabenita@danservangent.com

TC Owner

Dennis Maritime Oy Ltd
Strandvägen 24
FIN-21600 PARGAS, FINLAND
tel. +358-400-162882
Operations: ship-ops@dennismaritime.fi
General inquiries: info@dennismaritime.fi
dennis@dennismaritime.fi

Chartering

Helsinki Chartering chartering@hecha.fi
tel. +358-9-6126 7530

Particulars

Name: mv Annika Benita
Call sign: PHDB
IMO Nr: 9279032
Flag: Netherlands
Home port: Delfzijl
Built: 2005
Builder: Peters / Netherlands
Class: LR + 100 A1 + LMC
Ice Class: Finnish/Swedish Ice 1C
P&I: Standard Steamship Owners

Measurements

GT: 2409
NT: 993
DWT: 3704
DWCC: 3550
DWCC (Saimaa): 2500

Main dimensions

LOA: 82,50
LPP: 80,70
Breadth: 12,5
Depth mld: 8,00
Draft: 5,35
Airdraft: 14,00 (ballast)
Airdraft: 12,70 (loaded)

Cargo hold

Grain: 4530 m3 / 160'000 cuf
Timber cap: 5000 m3 (length packages)
Tank top: 15 t/m2
Hatch: 1,56 t/m2

Propulsion

Main Engine: Caterpillar 3512 DI-TA
ME Output: 1249 kW
Bowthruster: Yes, 220 kW
Propeller: Pitch
Speed (ballast): 11 kn
Speed (loaded): 10 kn
Consumption: 5,2 m3 / day MGO

Tankcapacity

Ballastwater: 1700 m3
MGO: 169 m3