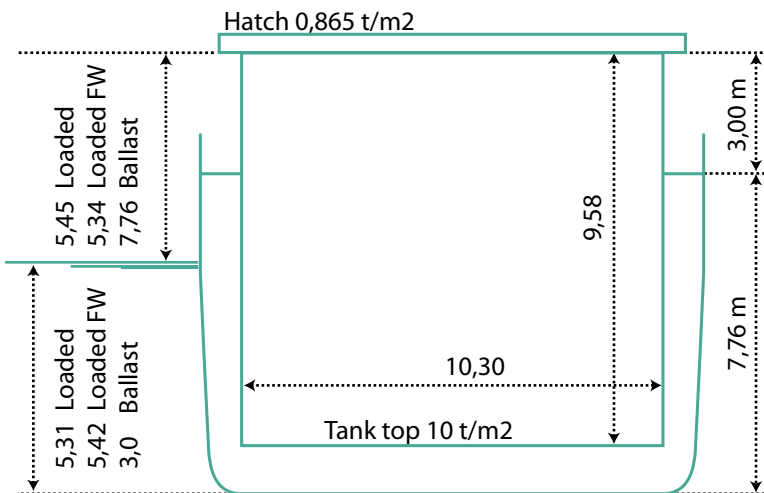
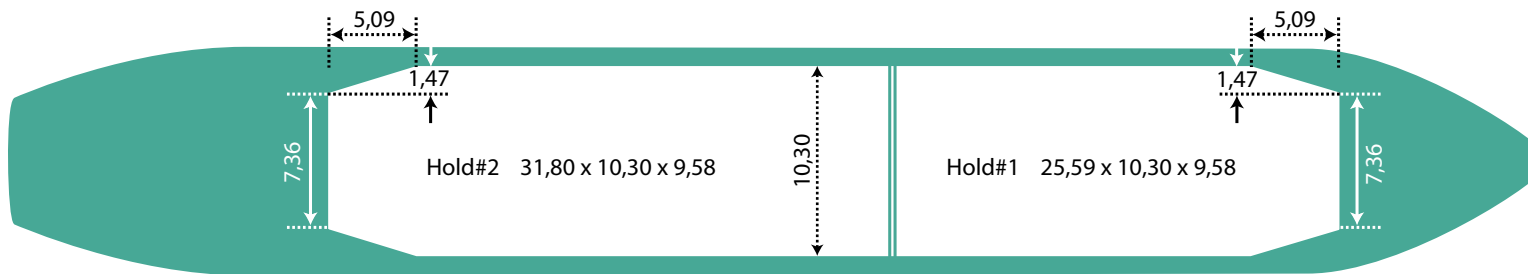
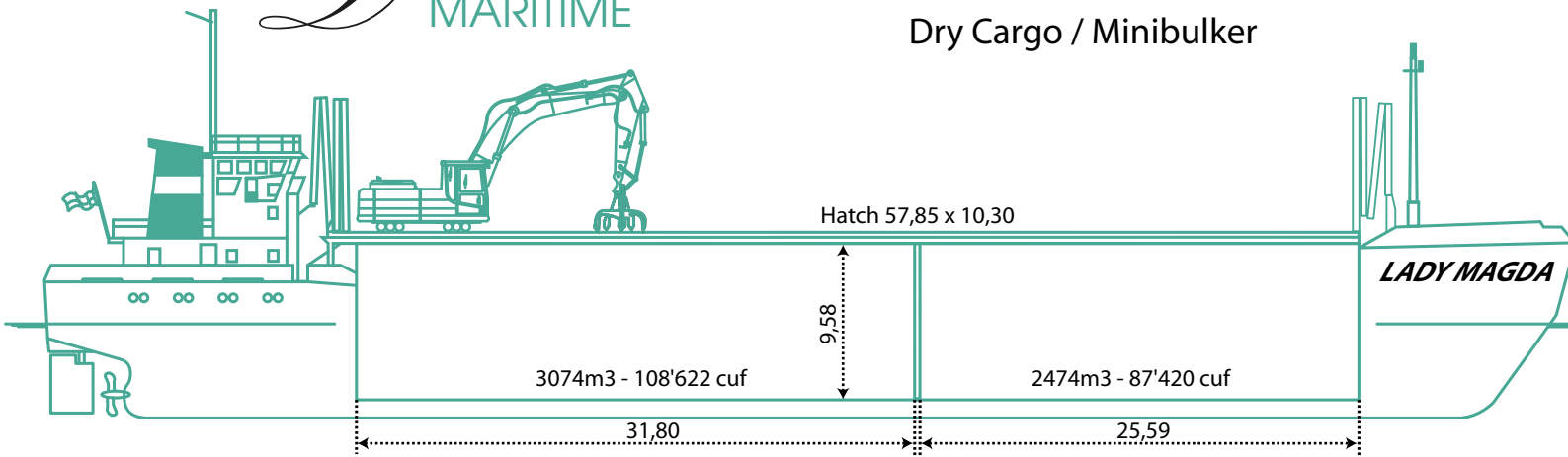


# MV LADY MAGDA

Dry Cargo / Minibulker



### Ship's contacts

Tel/GSM: +358-400 726 832  
 Iridium: +88-163 182 0628  
 E-mail: [ladymagda@dennismaritime.fi](mailto:ladymagda@dennismaritime.fi)  
 E-mail (text only): [pfrg@globeemail.com](mailto:pfrg@globeemail.com)

### T/C Owner

Dennis Maritime Oy Ltd  
 Strandvägen 24  
 FIN-21600 PARGAS, FINLAND  
 tel. +358-400-162 882  
 Operations: [ship-ops@dennismaritime.fi](mailto:ship-ops@dennismaritime.fi)  
 General inquiries: [dennis@dennismaritime.fi](mailto:dennis@dennismaritime.fi)  
[info@dennismaritime.fi](mailto:info@dennismaritime.fi)

### Chartering

Helsinki Chartering [chartering@hecha.fi](mailto:chartering@hecha.fi)  
 tel. +358-9-6126 7530

### Particulars

Name: mv Lady Magda  
 Call sign: PFRG  
 IMO Nr: 9054963  
 Flag: Netherlands  
 Home port: Delfzijl  
 Built: 1993  
 Builder: Niestern Sander / Netherlan  
 Class: LR + 100 A1 + LMC  
 Ice Class: Finnish/Swedish Ice 1B  
 P&I: British Marine

### Measurements

GT: 2561  
 NT: 1289  
 DWT: 3212  
 DWCC Summer: 3125

### Main dimensions

LOA: 87,96  
 LPP: 84,93  
 Breadth: 12,58  
 Depth mld: 7,7  
 Draft: 5,3  
 Airdraft: 27,50 (ballast)  
 Airdraft: 22,10 (loaded)

### 2 Cargo holds -- #1 and #2

Grain/Bale: 5548 m<sup>3</sup> / 196'042 cuf  
 Timber cap: 4300 m<sup>3</sup>  
 Tank top: 10 t/m<sup>2</sup>  
 Hatch: 0,865 t/m<sup>2</sup>

### Propulsion

Main Engine: Caterpillar 3606 TA  
 ME Output: 1850 kW  
 Bowthruster: Yes, 353 hp  
 Propeller: Fix pitch  
 Speed (ballast): 12,5 kn max / 12 kn norm  
 Speed (loaded): 11,5 kn max / 11 kn norm  
 Consumption: 7,7 m<sup>3</sup> / day MGO

### Tankcapacity

Ballastwater: 1489 m<sup>3</sup>  
 MGO: 179 m<sup>3</sup>